

**PILOT OPERATED SOLENOID VALVE G<sup>1</sup>/<sub>4</sub> ~ G1**

**Hot Water, Steam**

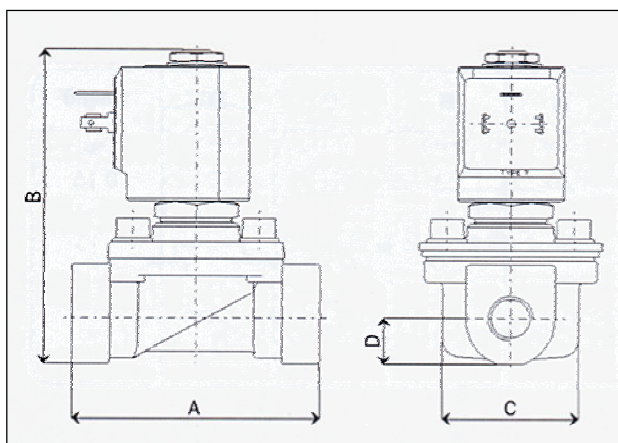
Wetted Materials	Brass CW614N EN 12165 Stainless Steel, PTFE, EPM PX 70/80 (Main Seal)
Ambient Temperature	-10 ~ +70 °C
Media Temperature	-10 ~ +150 °C
Media Viscosity	37 mm <sup>2</sup> /s Max
Electrical	AC 36VA Inrush AC 18VA Holding DC 14W
Protection	IP65 with Connector
Flow Direction	Arrow on Body



**2/2 Normally Closed**  
*For use with Open Systems*

Connection	Part Number	Orifice	Operating Pressure Differential—bar			Flow (kv) l/min	Weight kg
			Min	AC	DC		
G <sup>1</sup> / <sub>4</sub>	<b>D887DPV</b>	11.5	0.3	4.5	4.5	35	0.5
G <sup>3</sup> / <sub>8</sub>	<b>D888DPV</b>	11.5	0.3	4.5	4.5	50	0.5
G <sup>1</sup> / <sub>2</sub>	<b>D889DPV</b>	11.5	0.3	4.5	4.5	55	0.5
G <sup>3</sup> / <sub>4</sub>	<b>D890DPV</b>	11.5	0.3	4.5	4.5	70	0.8
G1	<b>D892DPV</b>	11.5	0.3	4.5	4.5	75	0.8

Standard Voltages: DC: 24V ; AC: 24V 50Hz, 110V 50Hz, 230V 50Hz.  
Other Voltages available to Special Order.



**Dimensions**

mm	A	B	C	D
<b>G<sup>1</sup>/<sub>4</sub></b>	75	95	53	14
<b>G<sup>3</sup>/<sub>8</sub></b>	75	95	53	14
<b>G<sup>1</sup>/<sub>2</sub></b>	75	95	53	14
<b>G<sup>3</sup>/<sub>4</sub></b>	85	105	53	22
<b>G1</b>	85	105	53	22

**Spares Kits**

All Sizes	SKP11JX-00

**Options**—Change codes as follows
