

**DIRECT ACTING SOLENOID VALVE G<sup>1</sup>/<sub>4</sub> Stainless Steel**

**Aggressive Media**

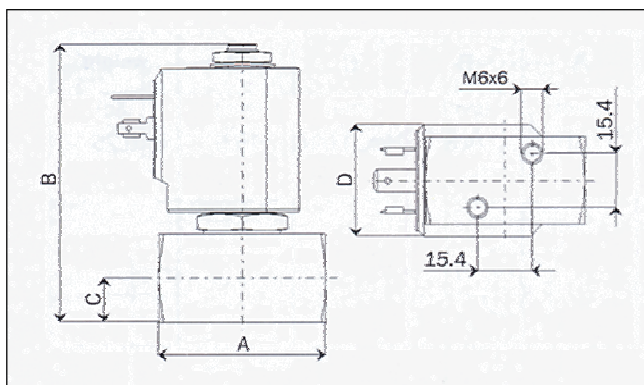
Wetted Materials	Stainless Steel, AISI 303 EN 10088-3 FKM (Main Seal)
Ambient Temperature	-10 ~ +50 °C
Media Temperature	-10 ~ +130 °C
Media Viscosity	21 mm <sup>2</sup> /s Max
Electrical	AC 36VA Inrush AC 18VA Holding DC 14W
Protection	IP65 with Connector
Flow Direction	1 → 2



**2/2 Normally Closed**  
For use with Open & Closed Systems

Connection Inches	Part Number	Orifice mm	Operating Pressure Differential—bar			Flow (kv) l/min	Weight kg
			Min	AC	DC		
G <sup>1</sup> / <sub>4</sub>	<b>D299DVG</b>	2.5	0	18	16	3.4	0.36
G <sup>1</sup> / <sub>4</sub>	<b>D299DVH</b>	3.0	0	15	8	4.5	0.36
G <sup>1</sup> / <sub>4</sub>	<b>D299DVL</b>	4.0	0	8	5	6.0	0.36

Standard Voltages: DC: 24V ; AC: 24V 50Hz, 110V 50Hz, 230V 50Hz.  
Other Voltages available to Special Order.



**Dimensions**

mm	A	B	C	D
G <sup>1</sup> / <sub>4</sub>	44	78.5	12.5	32

**Spares Kits**

FKM— 2.5 & 3.0 Orifice	D014DVH
FKM— 4.0 Orifice	D014DVP

**Options**—Change codes as follows

EPDM Seal	Code <b>D299DEG</b>
Silver Shading Ring	Code <b>D299DVHA</b>