

**316L Stainless Steel Body Bi-Directional Version G1/2 ~ G2**

**Oil, Air, Aggressive Media  
Steam—9 barg max (180 °C)**

Wetted Materials           AISI 316L Stainless Steel  
                                      PTFE (Main Seal)

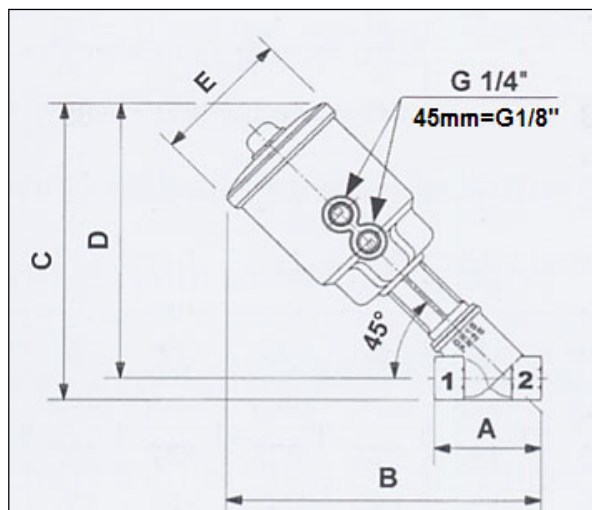
Ambient Temperature    -10 ~ +60 °C  
Media Temperature       -10 ~ +180 °C  
Media Viscosity           600 mm<sup>2</sup>/s max  
Actuator                    Polyamide PA6 (30% GF)  
Actuator Rotation        360°  
Vacuum (45mm Only)    10<sup>-2</sup> mbar max  
Flow Direction            1 ↔ 2 (Anti-Waterhammer 2 → 1)



2/2 Normally Closed

Connection	Part Number	Actuator Ø	Orifice	Operating Pressure Differential Barg		Pilot Pressure Bar (for OPD max) Refer to Charts		Flow (kv) l/min	Weight kg
				Min	Max	Min	Max		
G1/2	<b>BPG205CTW00</b>	45	15	Vacuum	16/16	6.2/5.0	10	98	0.8
G3/4	<b>BPG206CTX00</b>	45	20	Vacuum	16/7	8.7/5.0	10	164	0.9
G1/2	<b>BPG205STW00</b>	63	15	0	16/16	5.5/3.8	10	98	1.2
G3/4	<b>BPG206STX00</b>	63	20	0	16/16	6.0/3.8	10	164	1.3
G1	<b>BPG207STY00</b>	63	25	0	16/11	6.5/3.8	10	260	1.5
G1¼	<b>BPG208STZ00</b>	63	32	0	16/6	6.8/3.8	10	410	1.9
G1½	<b>BPG209STK00</b>	63	40	0	12/4	9.0/3.8	10	700	2.1
G2	<b>BPG210STJ00</b>	63	50	0	8/2.5	9.0/3.8	10	950	2.9

Direct Mount 3/2 Banjo Pilot Solenoid Valve— 45mm Actuator B356CVCMK + Voltage  
63mm Actuator B326CVCMK + Voltage



**Dimensions**

mm	Act'r	A	B	C	D	E
<b>G1/2</b>	45	65	144	136	123	57
<b>G3/4</b>	45	75	149	142	126	57
<b>G1/2</b>	63	65	192	184	171	85
<b>G3/4</b>	63	75	198	192	176	85
<b>G1</b>	63	90	212	205	185	85
<b>G1¼</b>	63	110	225	217	193	85
<b>G1½</b>	63	120	230	225	198	85
<b>G2</b>	63	150	248	241	207	85