

PILOT OPERATED SOLENOID VALVE G³/₈ ~ G1

**Water, Neutral Liquids, Light Oils
Air, Inert Gases**

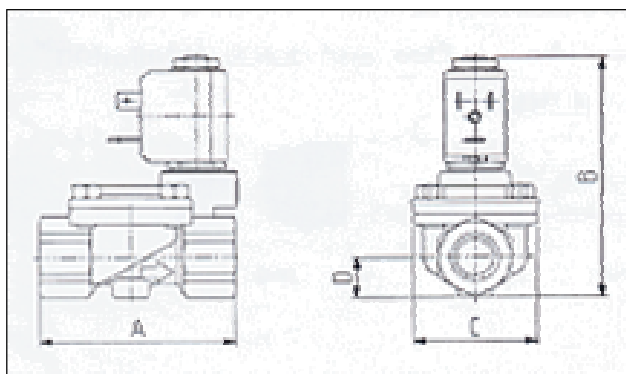
Wetted Materials	Brass CW617 N EN 12165 Stainless Steel NBR (Main Seal)
Ambient Temperature	-10 ~ +50 °C
Media Temperature	-10 ~ +90 °C
Media Viscosity	37 mm ² /s Max
Electrical	AC 16VA Inrush AC 10VA Holding DC 7W
Protection	IP65 with Connector
Flow Direction	Arrow on Body



2/2 Normally Closed
For use with Open Systems

Connection	Part Number	Orifice	Operating Pressure Differential—bar			Flow (kv) l/min	Weight kg
			Min	AC	DC		
Inches		mm					
G ³ / ₈	B204DBZ	13	0.3	16	16	55	0.4
G ¹ / ₂	B205DBZ	13	0.3	16	16	63	0.4
G ³ / ₄	B206DBX	21	0.3	16	16	90	0.6
G1	B222DBY	25	0.3	16	16	216	1.2

Standard Voltages DC: 24V ; AC: 24V 50Hz, 110V 50Hz, 230V 50Hz.
Other Voltages available to Special Order.



Dimensions

mm	A	B	C	D
G³/₈	67	90	44	15
G¹/₂	67	90	44	15
G³/₄	82	105	50	20
G1	96	115	70	23

NBR Spares Kits

G ³ / ₈ & G ¹ / ₂	SKP11AB-00
G ³ / ₄	SKP11KB-00
G1"	SKP11BB-00

Options—Change codes as follows

Viton® Seals	Code B205DVZ
EPDM Seal	Code B206DEZ
Normally Open	Code RB222DBZ