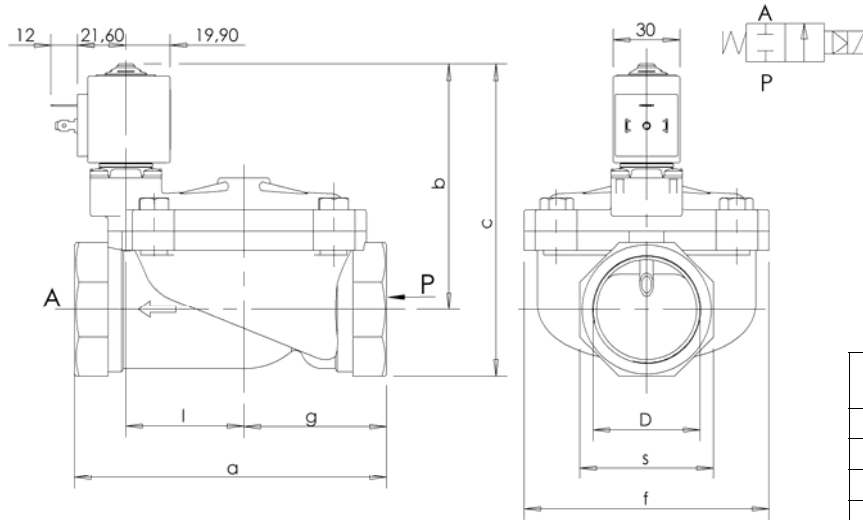




**SOLENOID VALVE**  
**2/2 - NC (Normally closed)**  
**Pilot operated**  
**G1 ¼ ÷ 2**

**L180**  
**G 1" ¼ ÷ 2"**



Without manual override								With manual override	
D	a	b	c	f	g	l	s	b	c
G 1 ¼	113	107	133	81	50	40	52	130	156
G 1 ½	140	110	140	110	60	53	60	133	163
G 2	157	115	151	110	72	53	72	138	174

**► GENERAL FEATURES**

Diaphragm valve, pilot operated, having full orifice.  
 Suitable to shut off liquid and gaseous fluids (verify the compatibility of fluid with materials in contact).  
 Not suitable for use with dangerous fluids listed in Group 1, therefore they are free from CE marking in conformity with article 3 § 3 of the European Directive 97/23/EC (Pressure Equipment Directive).

**► MATERIALS IN CONTACT WITH FLUID**

*Body* Brass  
*Sealing* Diaphragm: NBR or FPM / Actuator: FPM  
*Internal components* Brass and stainless steel  
*Seat* Brass  
*Guide assembly* Stainless steel  
*Shading ring* Copper

**► TECHNICAL FEATURES**

*Maximum allowable pressure (PS)* 15 bar  
*Opening time* from ~300ms to ~1500ms  
*Closing time* from ~1000ms to ~2000ms  
*Fluid temperature* -10°C +90°C (NBR)  
 0°C +130°C (FPM)  
*Max viscosity* 5°E (~37 cStokes or mm<sup>2</sup>/s)

**► COIL**

*Continuous duty* ED 100%  
*Encapsulation material* PET (polyethylene terephthalate) fiberglass reinforced  
*Coil insulation class* F (155 °C) on request class H (180°C) - UL  
*Ambient temperature* -10 C° +50 °C  
*Electric connenctions* DIN 46340- 3 poles connectors (DIN 43650)  
*Protection degree* IP 65 (EN 60529) with plug connector  
*Voltages* DC 12-24V (+10% -5%)  
 AC 24V/50Hz - 110V/50Hz (120V/60Hz) - 230V/50Hz (+10% -15%)  
 (Other voltages and frequencies on request).

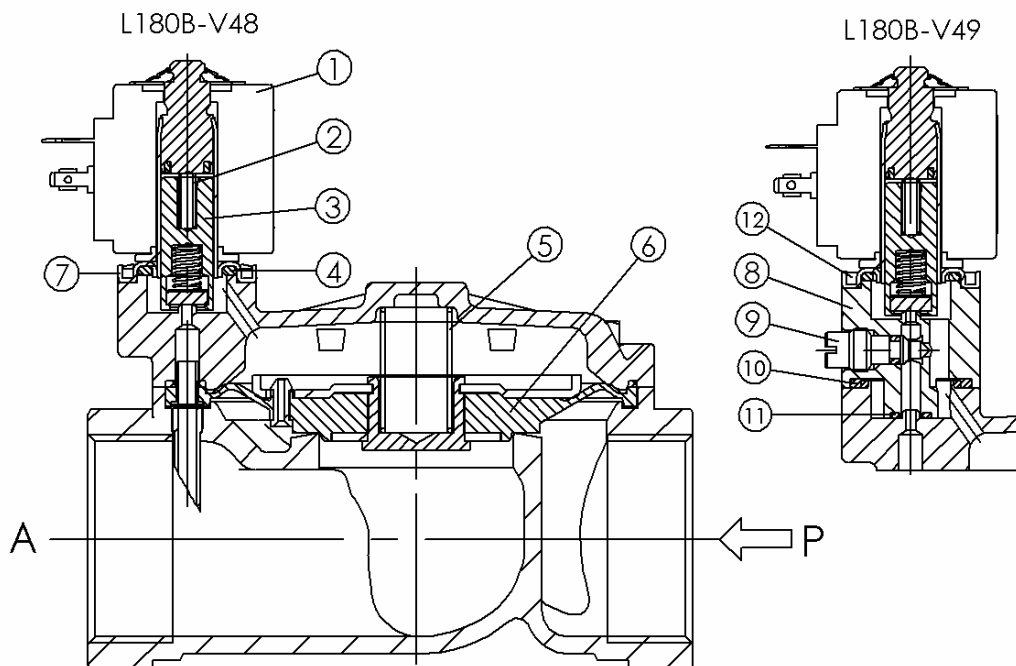
Port size ISO 228	Orifice size. (mm)	Differential pressure (bar)				Kv (m <sup>3</sup> /h)	Series and type			Power absorption			Sealings	Notes	Weight (kg)			
		Δp min	Δp max		Valve		Valve with manual override	Coil	AC (VA)		DC (W)							
			Gases	Liquids					Inrush	Holding								
G 1 ¼	30	0,50	10	10	10	15	L180B48	L180B49	ZA30A	23	14	9	NBR (diaphragm) FPM (actuator)	1	1,640			
G 1 ½	45														2,600			
G 2	45														3,020			
G 1 ¼	30						15	L180V48							L180V49	27	2,600	
G 1 ½	45																	3,020
G 2	45																	

**► NOTES**

- Sealings : NBR = Nitrile-butylene elastomer FPM = Fluoro-carbon elastomer  
 - Operation with gaseous fluids at high pressure without any outlet restriction, can reduce the diaphragm life.  
 1 - L180B49 and L180V49: weight increased of 0,180Kg.

# L180 G 1" ¼ ÷ 2"

## ► SPARE PARTS



### Kit description

### Kit P.N.

### Consisting of:

Core kit		G3108702	Core pos. 3 Core return spring pos. 2 OR guide assembly pos. 4
Core return spring kit		G3111101	N.10 core return spring pos. 2
Spring on diaphragm kit	G 1 ¼ G1 ½ - 2	G2401101 G2401501	N.10 spring on diaphragm pos. 5
OR guide assembly kit	L180B.. L180V..	GU2421000053 GU2424000053	N.10 OR guide assembly pos. 4
Diaphragm kit	G 1 ¼    L180B.. G1 ½ - 2    L180B.. G 1 ¼    L180V.. G1 ½ - 2    L180V..	2400801R 2401301R 2400802R 2401302R	Diaphragm assembly pos. 6
Manual override group		G3108802	Body pos.8 Pin group pos. 9 Intermediate OR pos. 10 Lower OR pos. 11 N.4 fixing screw pos. 12
Guide assembly		3092201R	Guide assembly pos. 7
Coil		ZA30A	Coil pos. 1

## ► MOUNTING

Solenoid valve can be mounted in any position; vertical with coil upwards preferred.